

IMPACTOR

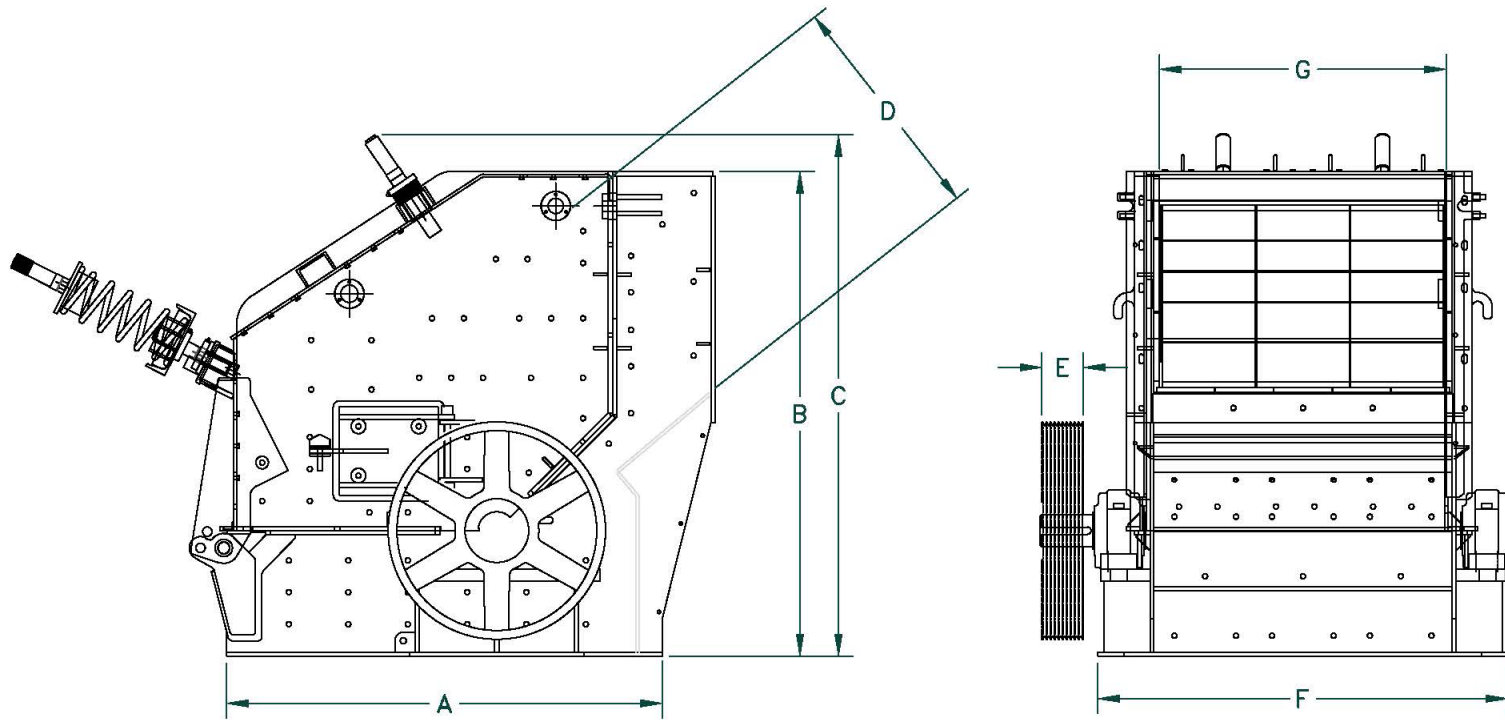
HORIZONTAL IMPACT CRUSHERS



Whether portable, stationary or skid-mounted, Lippmann offers cost-effective solutions for your needs. These impactors have proven to be rugged, high performance and cost effective solutions in a variety of applications. Lippmann impactors are successfully crushing a wide range of materials such as limestone, dolomite, gravel, basalt, copper reverts, concrete and asphalt, and recycling.

- Andreas-type impact crusher design
- Produces highly cubical product
- High ratio of reduction
- Hammers have four crushing positions to maintain a more constant gradation and greater top-size control
- No weld buildup required on wear surfaces
- Less capital outlay than competitive crushers
- High degree of product size control
- Wear components have long life due to advanced metallurgy
- One gravity and one spring-loaded curtain with optional third curtain allow easy adjustment from exterior of crusher
- 3 bar option
- Maintenance through inspection doors or by hydraulically opened hood (electric/hydraulic power unit is standard)
- Optional feed chute designs allow impactor to be fed from three sides with a stacking conveyor
- Skid-type units offering low-profile fold-up legs and ample platform area are available if looking to avoid high permanent structure costs and for easy relocation
- Ideal for portable mounting

IMPACTOR



		A	B	C	D *	E	F	G *	WEIGHT Lbs. Kg
4236LS	Inches	75	72	84	24	4	58	38	15,900
	mm	1911	1829	2134	610	112	1467	953	7212
4248LS	Inches	75	72	84	24	6	70	50	19,500
	mm	1911	1829	2134	610	147	1772	1257	8845
4248LP	Inches	75	84	90	35	7	71	50	24,000
	mm	1911	2134	2286	876	183	1797	1257	10886
5165LS	Inches	79	91	99	31	7	89	67	35,800
	mm	2000	2311	2515	775	180	2261	1689	16239
5165LX	Inches	88	96	104	40	12	91	67	47,000
	mm	2229	2438	2642	1003	295	2299	1689	21319
5165LP	Inches	88	96	104	40	12	91	67	49,000
	mm	2229	2438	2642	1003	295	2299	1689	22226
5196LS	Inches	89	91	100	31	7	123	98	60,500
	mm	2261	2311	2540	775	180	3118	2477	27442
5860LP	Inches	106	111	112	48	9	89	62	63,000
	mm	2680	2819	2845	1207	238	2248	1562	28576

* Dimension denotes crusher feed opening.

IMPACT CRUSHER CAPACITIES

	HP (Electric Drive Motor)	Capacity		Maximum Feed Size				Minimum Setting	Number Of Hammer Rows	
					Limestone	Gravel	Asphalt			Concrete
4236LS	150-200	100-180	STPH	Inches	20	10	20	20	1	3
		90-163	MTPH	mm	508	254	508	508	32	
4248LS	200-250	170-240	STPH	Inches	20	12	20	20	2	3 or 4
		155-218	MTPH	mm	508	305	508	508	38	
4248LP	250-300	170-260	STPH	Inches	23	12	28	28	2	3 or 4
		155-236	MTPH	mm	584	305	711	711	44	
5165LS	300-350	230-365	STPH	Inches	31	16	34	34	2	4
		210-331	MTPH	mm	787	406	864	864	38	
5165LX	300-400	225-425	STPH	Inches	31	16	34	34	2	4
		204-385	MTPH	mm	787	406	864	864	51	
5165LP	300-500	250-450	STPH	Inches	31	16	34	34	2	4
		227-408	MTPH	mm	787	406	864	864	51	
5196LS	250-300	380-700	STPH	Inches	25	14	25	25	2	4
		254-635	MTPH	mm	635	356	635	635	38	
5860LP	400-450	400-1000	STPH	Inches	40	18	42	40	3	4
		363-907	MTPH	mm	1016	457	1067	1016	64	