

SENTRY™ HORIZONTAL SHAFT IMPACTOR

Rugged, Resilient Design Capable of Crushing in Multiple Applications.

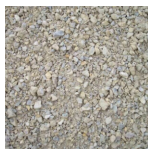
FEATURES

- » Designed with proper spacing inside chamber for processing larger feed sizes.
- » HSI's are able to accept a dirtier feed condition than compression crushers while processing a high tonnage of material.
- » Increased fines production compared to compression crushers.
- » Ideal for portable plants and allows for the adding of a third curtain or grinding path.
- » Backed by an industry-leading warranty, plus a service team committed to exceeding customer expectations.

APPLICATIONS



Clay and Brick
Crushing



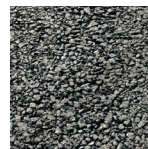
Quarried
Stone



Recycle
Concrete

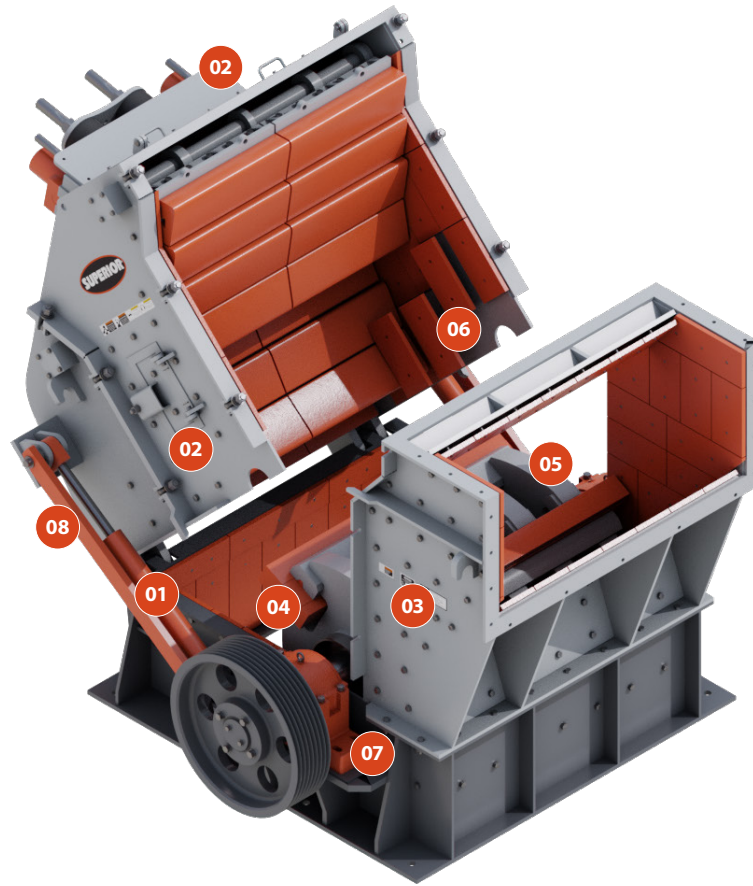


Cubical
Products



Recycled
Asphalt

Wheeled 
Stationary 



01/ HYDRAULIC OPENING & CLOSING

Safely and simply access internal components for inspection.

02/ MAINFRAME INSPECTION DOORS

Access the crushing chamber at additional locations including top, side and back inspection.

03/ REPLACEABLE UPPER FEED OPENING SECTION

High wear area is easily replaceable.

04/ BLOW BARS

Two or four blow bar rotor option with one or two-piece bars manufactured in a robust 4.5" (114mm) minimum manganese or chrome.

05/ FIXED BLOW BAR CLAMPING

Provides maximum clamping for best performance in hard rock applications.

06/ COMMONLY-SHAPED SIDE LINERS

Mix and match these liners to prolong wear life and decrease cost of replacement components.

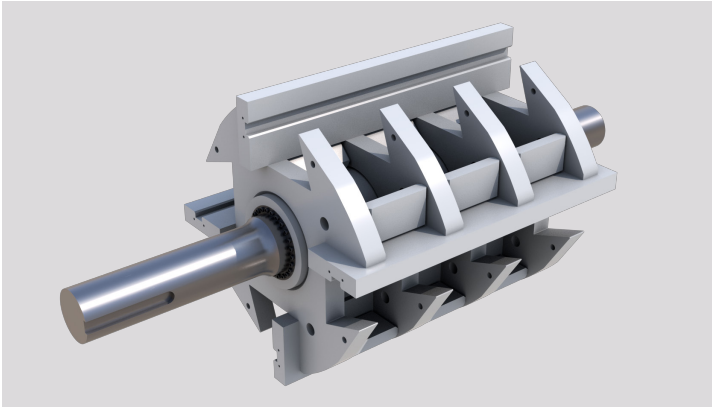
07/ OFF-THE-SHELF BEARINGS

Local sourcing speeds access to parts in emergency situations.

08/ CRUSHER LID SAFETY LOCK

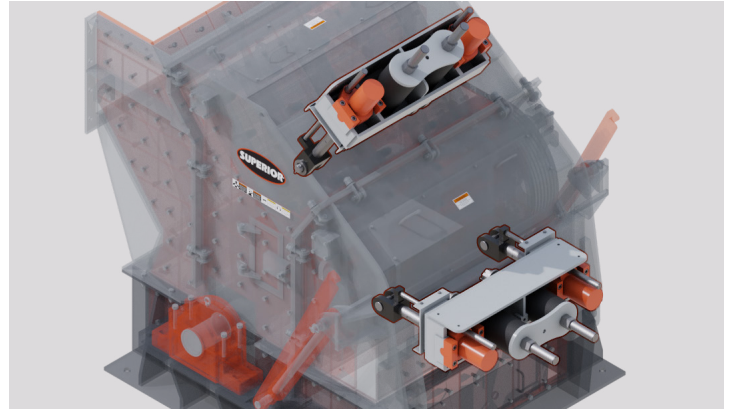
Locks housing for safety during maintenance.

HIGHLIGHTS



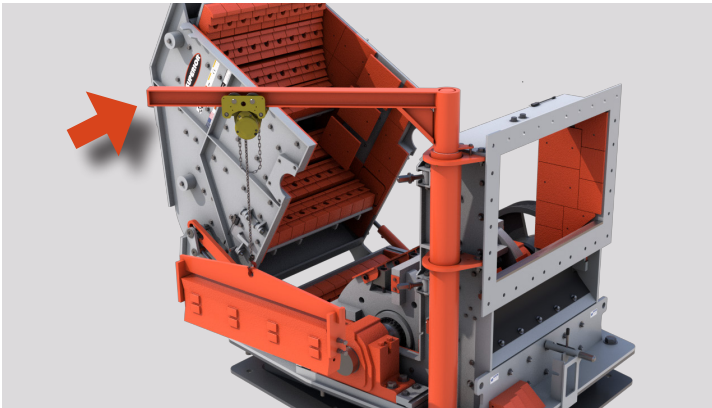
FABRICATED OPEN ROTOR DESIGN

- » Open rotor design with high inertia provides lower cost of ownership.



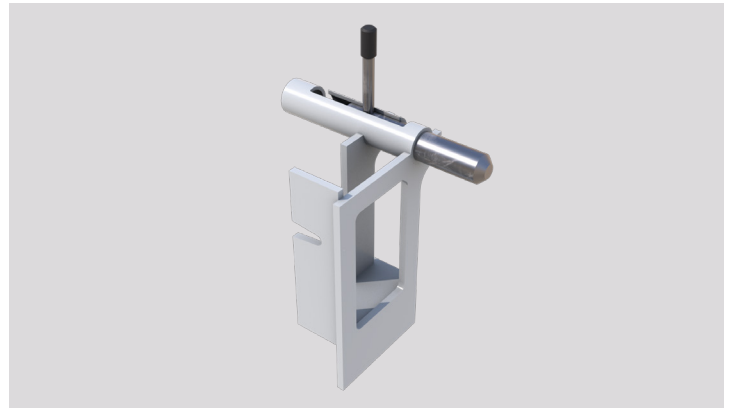
HYDRAULIC CURTAIN ADJUSTMENT

- » Easily adjust the crusher's closed side setting (CSS).



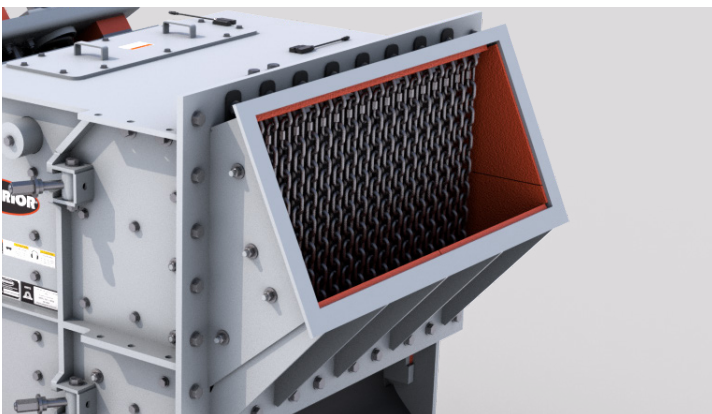
BLOW BAR HANDLING TOOL

- » Increase safety during the removal or lifting of blow bars.



ROTOR LOCKING TOOL

- » Included with all machines, this device will improve safety.

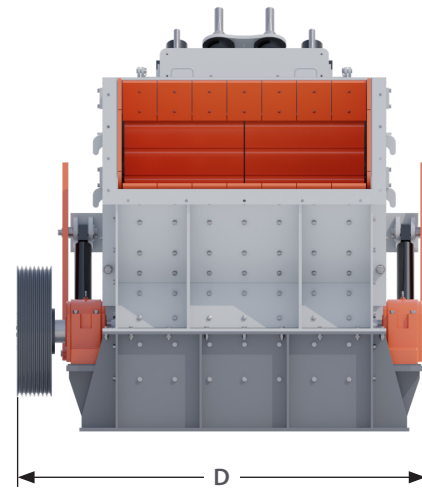
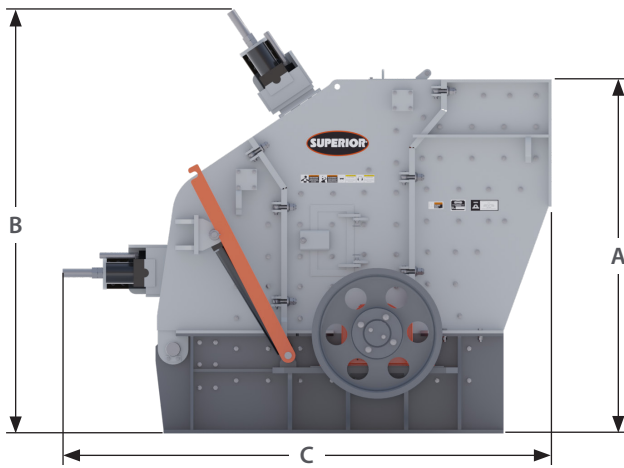


FEED HOOD EXTENSION

- » Assists in feeding material into crusher at the correct location and angle for proper crushing.

**2-YEAR/
6000 HR
WARRANTY**

SPECIFICATIONS



HSI CRUSHER DIMENSIONS

Model	A		B		C		D	
	Imperial	Metric	Imperial	Metric	Imperial	Metric	Imperial	Metric
SP 4855	100"	2,550mm	96"	2,450mm	118"	3,000mm	96"	2,450mm
SP 5054	46"	1,169mm	69"	1,769mm	112"	2,845mm	119"	3,023mm
SP 5565	116"	2,950mm	117"	2,980mm	212"	5,402mm	104"	2,660mm
SP 6384	141"	3,600mm	144"	3,675mm	239"	6,075mm	157"	3,990mm
SS 3936	88"	2,240mm	82"	2,100mm	105"	2,680mm	84"	2,150mm
SS 4355	90"	2,290mm	84"	2,150mm	107"	2,740mm	93"	2,385mm
SS 5165	114"	2,920mm	96"	2,450mm	132"	3,365mm	112"	2,850mm
SS 5583	118"	3,020mm	103"	2,640mm	138"	3,510mm	148"	3,760mm
SS 4355 G	90"	2,290mm	84"	2,150mm	107"	2,740mm	93"	2,385mm
SS 5165 G	114"	2,920mm	96"	2,450mm	132"	3,365mm	112"	2,850mm
SS 5583 G	118"	3,020mm	103"	2,640mm	138"	3,510mm	148"	3,760mm
SR 3936	89"	2,280mm	84"	2,150mm	105"	2,680mm	84"	2,150mm
SR 5165	91"	2,330mm	86"	2,190mm	107"	2,740mm	93"	2,385mm
SR 5583	114"	2,920mm	101"	2,570mm	192"	4,885mm	112"	2,850mm

TYPICAL PHYSICAL PROPERTIES

Model	Rotor Size (D x W)		Max Feed Size		Feed Opening		Capacity		Motor Power		Weight	
	mm x mm	inch x inch	mm	inch	mm x mm	inch x inch	mtph	stph	kW	hp	kg	lbs
SP 4855	1,200 x 1,400	48" x 55"	600	23.6"	800 x 1,450	31" x 57"	250-350	275-385	250	350	15,000	33,076
SP 5054	1,250 x 1,350	50" x 54"	700	27.5"	880 x 1,435	34" x 56"	220-350	220-350	250	350	18,915	41,701
SP 5565	1,400 x 1,650	55" x 65"	800	31.5"	1,150 x 1,570	45" x 62"	355-500	390-550	350	500	26,000	57,332
SP 6384	1,600 x 2,130	63" x 84"	1000	39.4"	1,600 x 2,150	63" x 85"	700-900	770-990	500	650	42,000	92,613
SS 3936	1,000 x 900	39" x 36"	400	15.7"	650 x 950	26" x 37"	80-150	90-165	110	150	9,500	20,948
SS 4355	1,100 x 1,400	43" x 55"	450	17.7"	700 x 1,450	28" x 57"	150-250	165-275	185	250	12,500	27,563
SS 5165	1,300 x 1,650	51" x 65"	500	19.7"	750 x 1,700	30" x 67"	250-440	275-484	350	500	23,800	52,481
SS 5583	1,400 x 2,100	55" x 83"	600	23.6"	850 x 2,150	33" x 85"	300-500	330-550	600	800	33,000	72,767
SS 4355 G*	1,100 x 1,400	43" x 55"	450	17.7"	700 x 1,450	28" x 57"	150-250	165-275	185	250	13,500	29,768
SS 5165 G*	1,300 x 1,650	51" x 65"	500	19.7"	750 x 1,700	30" x 67"	250-440	275-484	350	500	25,000	35,000
SS 5583 G*	1,400 x 2,100	55" x 83"	600	23.6"	850 x 2,150	33" x 85"	300-500	330-550	600	800	55,127	77,178
SR 3936	1,000 x 900	39" x 36"	500	19.7"	700 x 950	27" x 37"	80-150	90-165	110	150	10,500	23,153
SR 5165	1,100 x 1,400	43" x 55"	600	23.6"	800 x 1,450	31" x 57"	150-200	165-220	185	250	13,000	28,666
SR 5583	1,300 x 1,650	51" x 65"	800	31.5"	900 x 1,700	35" x 67"	200-300	220-330	315	400	25,800	56,891

Projected crusher capacities are based on a material having a work index of 12-14, with a bulk density of 100 lbs/ft³ (1.6 mt/m³). The feed grading must have less than 10% passing the crusher setting. The crusher drive assemblies are to be maintained in good working order with the ability to apply all available horsepower without drive belt slippage. Plant installation to ensure the crusher is able to operate continuously consuming the FLA rating of the motor(s) with the equipment able to accept and discharge material freely. For secondary cone crusher applications to be used in closed circuit applications consult Superior for capacity adjustments.